

Ukcas	EPD
L4181	D117
Case	X
(31.06)	



betweenglassblinds™

The ideal solution for small, medium or large scale privacy and observation

O&M Manual 2024



betweenglassblinds™

Operation and Maintenance Manual

Contents

1. Quality Assurance Policy Statement
2. Care and Protection
3. Exploded View Tilt and Lift Unit –
with guide rails to be installed on site
4. Exploded View Tilt and Lift Unit –
with factory fitted guide rails
5. Installation Instructions
6. COSHH Data Sheet

BetweenGlassBlinds Ltd
Unit 4, 62-70 Fowler Road
Hainault,
Essex IG6 3UT
Tel:020 8500 2200 Fax: 020 8559 8584

For more information visit our website
www.betweenglassblinds.co.uk



betweenglassblinds™

Quality Assurance Policy Statement

BetweenGlassBlinds Limited aims to provide defect-free products and services to our customers, on time and within budget.

The Company operates a quality management system which has gained BS ISO 9001:2015 Certification, including aspects specific to the Glass & Glazing Industry.

The quality management system is described and detailed in the Procedure Manual. All BetweenGlassBlinds personnel understand the importance of quality and abide with the contents of the manual.

BetweenGlassBlinds Limited complies with all legislation relevant to the Glass & Glazing Industry and also the Health and Safety at Work Act 1974.

The Company constantly monitors its quality performance and will implement improvements when appropriate.

For more information visit our website
www.betweenglassblinds.co.uk



betweenglassblinds™

Care and Protection of your BetweenGlassBlinds Units

By following a few simple rules during usage and cleaning you can prolong the life of your BetweenGlassBlinds units and assist in retaining their good appearance.

DO

Clean only with mild soaps or detergents added to water, or a proprietary non abrasive glass cleaner.

Clean using a soft or synthetic window leather.

Use a squeegee or soft cloth for drying the window.

DO NOT

Use brushes or sharp edge items at any time on the BetweenGlassBlinds Units.

WARNING PLEASE MAKE SURE THE BLINDS ARE OPEN BEFORE RAISING OR LOWERING.

Please operate the blinds with the slats in the open position to ensure they lower fully and the strings do not get caught. Where possible please operate the blinds minimising contact between the cords and the glass to prevent marking. This is especially important where coated and/or Low E glass has been specified.

Operating the blind correctly is the responsibility of the user and marking on the glass caused by the cords is not covered by our warranty.

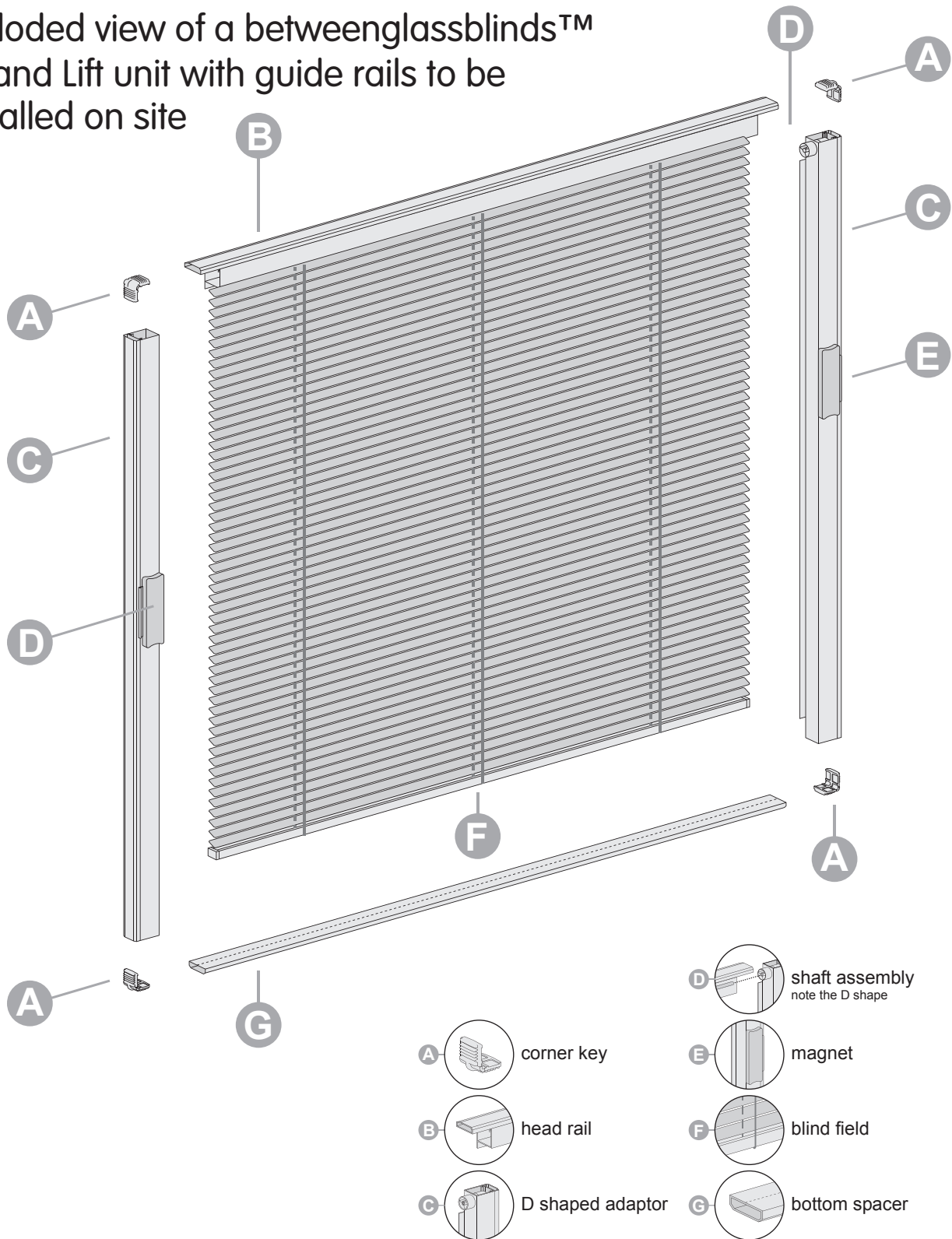
If in doubt please contact BetweenGlassBlinds Ltd about further guidance in respect of cleaning.

For more information visit our website
www.betweenglassblinds.co.uk



betweenglassblinds™

Exploded view of a betweenglassblinds™
Tilt and Lift unit with guide rails to be
installed on site

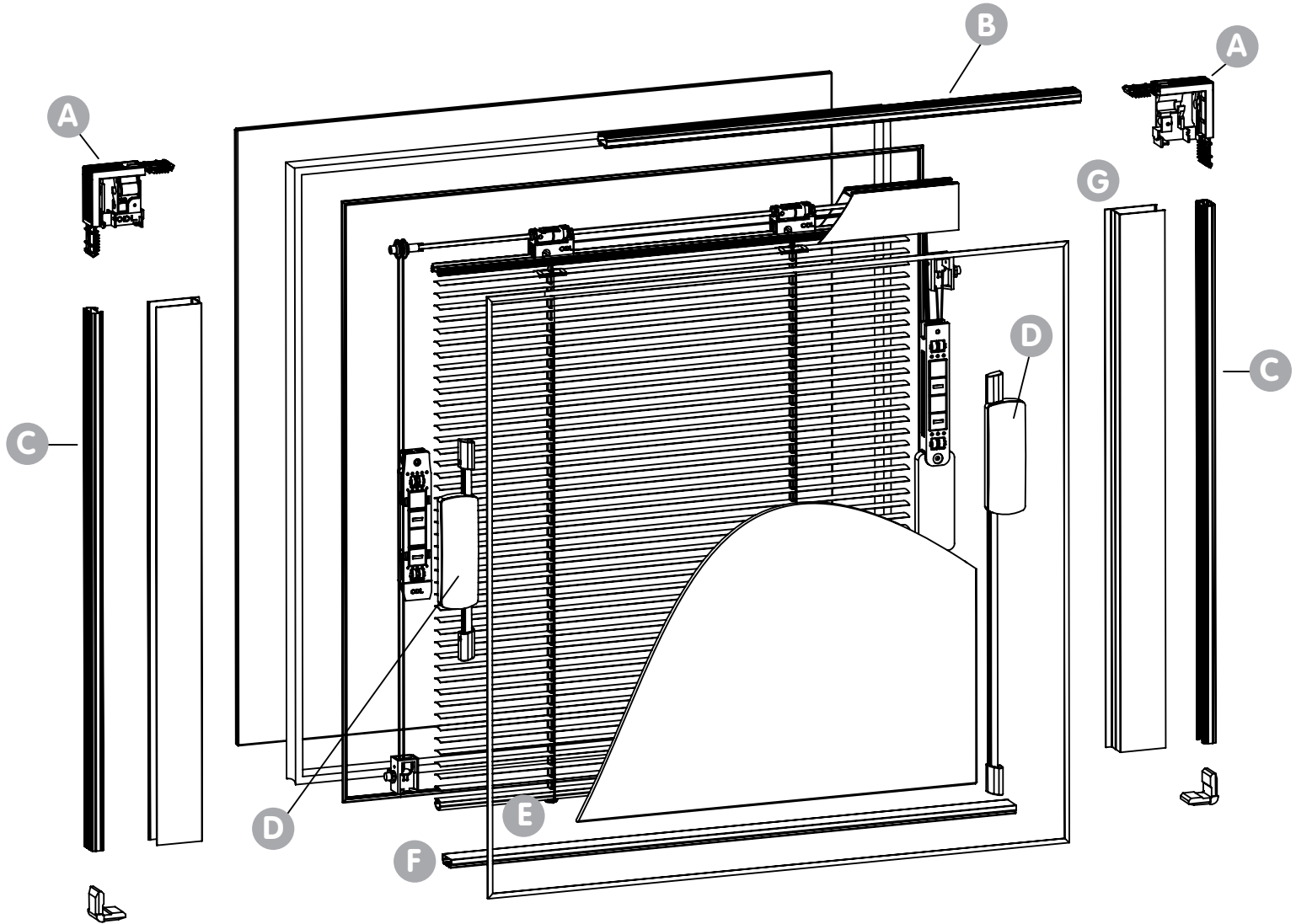


For more information visit our website
www.betweenglassblinds.co.uk

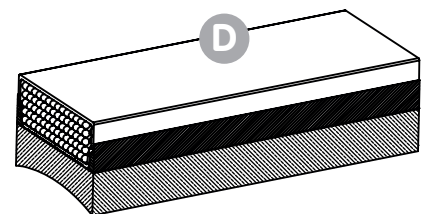


betweenglassblinds™

Exploded view of a betweenglassblinds™
Tilt and Lift unit with factory fitted guide rails.



- A** Corner Key
- B** Head Rail
- C** D Shaped Adaptor
- D** Magnet
- E** Blind Field
- F** Bottom Spacer
- G** Shaft Assembly
(note the D shape)



For more information visit our website
www.betweenglassblinds.co.uk



Installation Instructions

Wood Bead Fitting

Pre-Installation Fitting Check

1. The panel is the correct size to the order placed
2. The aperture is 3mm overall larger than the panel as it should not be a tight fit.
When sizing the aperture it is the same as you would for a single piece of glass just a different thickness.

Installation Instructions

1. Fit the hardwood fixing beads to one side of the aperture. This can be achieved by screwing or nailing whichever is suitable for the project. Fit intumescent material if required for fire rated door or window.
2. Offer the panel into the aperture use packing wedges to make sure that panel is sitting square in the aperture.
3. Place the Magnet and holding Strip on to the panel. (**only applicable where magnets and guide rails aren't factory fitted).
4. Fit the hardwood fixing beads to the reverse side of the aperture either vertically or horizontally depending on where the magnet is placed and check that the BGB is functioning correctly.
When you are sure that all is correct fit the other fixing beads in the same way.
5. Do not fit the BGB blind into the aperture if the sealed unit is damaged or the BGB blind is not functioning correctly.

UPVC or Aluminium Metal Frame Fitting

Pre-Installation Fitting Check

1. The panel is the correct size to the order placed
2. The aperture is 25mm overall larger than the panel as it should not be a tight fit.
When sizing the aperture it is the same as you would for a single piece of glass just a different thickness.

Installation Instructions

1. Make sure that your window or door has been fitted according to the manufacturer's instructions.
2. Before offering the BGB unit into the opening close and lock all opening sashes and check for squareness with the outer frame.
3. Prior to locating the glass BGB unit into the aperture it may be necessary to position a 25 x 100 x 15 glazing bridges into the frame recess. A dab of silicone will secure the packer in place. You may also require the same glazing bridges in side hung sashes opposite the hinge side.
4. Offer the appropriate glass BGB unit into the aperture resting squarely on the glazing packers, ensuring the glass is central within the opening. Push the glass BGB unit back as far as it will go into the rebate.
5. Position 2mm glass packers to square the unit up within the aperture.
6. Place the Magnet and holding Strip on to the panel. (**only applicable where magnets and guide rails aren't factory fitted).
7. Unlock and open the sashes to check that no binding occurs within the locking system and no movement occurs between the glass and frame, make any minor adjustments if necessary to achieve perfect squareness.
8. Check that the BGB blind is functioning correctly.
9. Clip the retaining beads back into their original position, do not exert undue force as this may crack the unit.

Should you require any further information or assistance please contact our technical department.

For more information visit our website www.betweenglassblinds.co.uk



betweenglassblinds™

COSHH Data Sheet

Non Fire Rated BetweenGlassBlinds

Basic non fire rated BetweenGlassBlind comprises of:

4mm Toughened Glass and 4mm Toughened Low 'E'Glass

The outer panes could be substituted for any of the following glasses in any combination.

8mm/10mm/12mm/15mm or 19mm Toughened Glasses or any combination of Laminated or Acoustic Glasses.

FD30 Fire Rated BetweenGlassBlinds

Basic FD30 fire rated BetweenGlassBlindcomprises of:

4mm Toughened Glass and 7mm Pyroguard C730

The outer 7mm Pyroguard C730outer pane can be substituted for any of the following glasses in any combination.

8mm/10mm/12mm/15mm, 11mm Pyroguard, 15mm Pyrostop or 19mm Pyro EX30 Toughened Fire Glass or any combination of Laminated FD30 Fire Glasses.

Please note that the inner pane of glass can be no thicker than 6.4 laminated.

For more information visit our website
www.betweenglassblinds.co.uk

MAGNETIC BLINDS


ENERGY EFFICIENT COLOUR RATINGS




ESPRESSO
RAL 8019*



IRON GREY
RAL 7015*



BLACK
RAL 9005*



ANTHRACITE
RAL 7039*

Visible Reflection: 14%
Solar Reflection: 12%




WHITE
RAL 9016*

Visible Reflection: 67%
Solar Reflection: 51%



CHAMPAGNE
RAL 7032*



SILVER
RAL 7042*



BEIGE
RAL 9002*

Visible Reflection: 44%
Solar Reflection: 38%

*Colours and RAL numbers are representational only, please contact us for further information and to request a colour swatch.
Note: The above ratings can vary depending on glazing options chosen.

betweenglassblinds™

t. 020 8500 2200 www.betweenglassblinds.co.uk