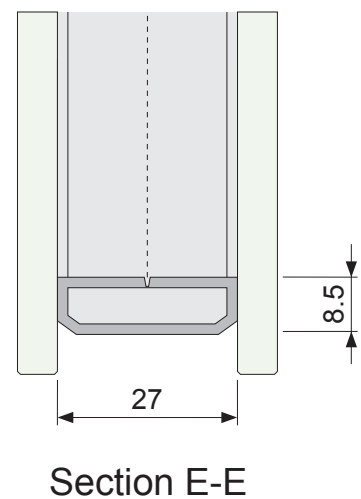
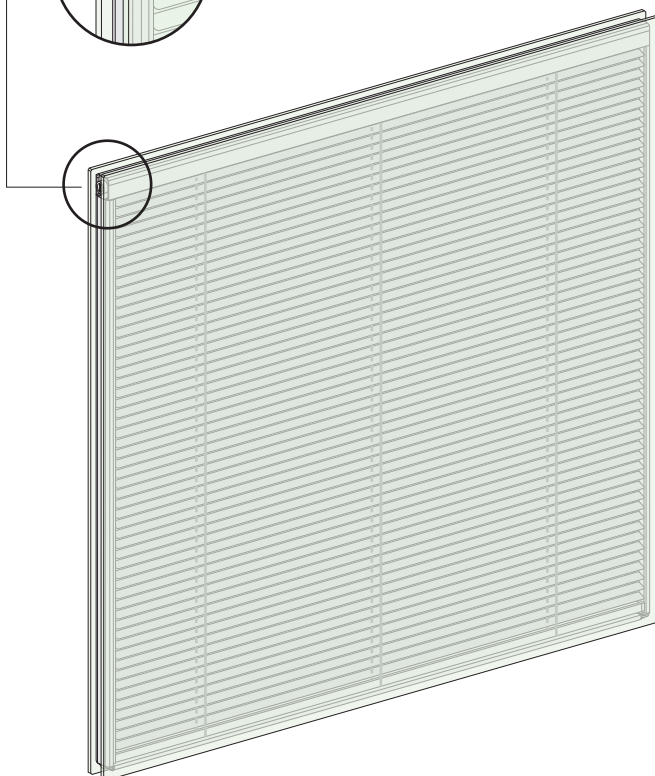
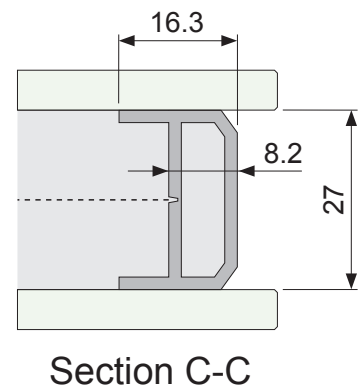
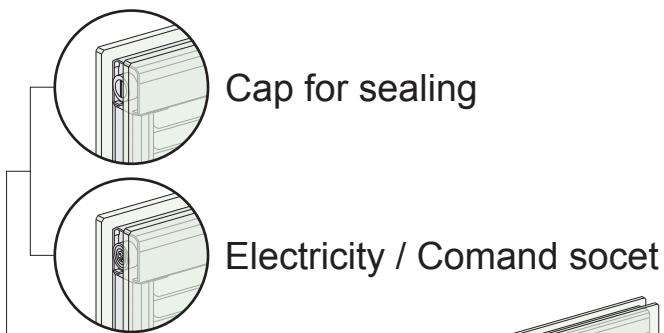
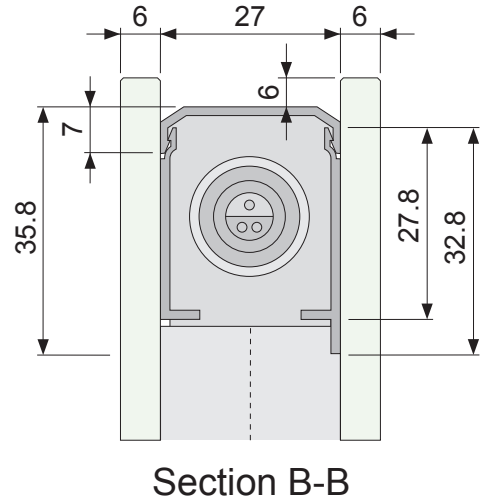
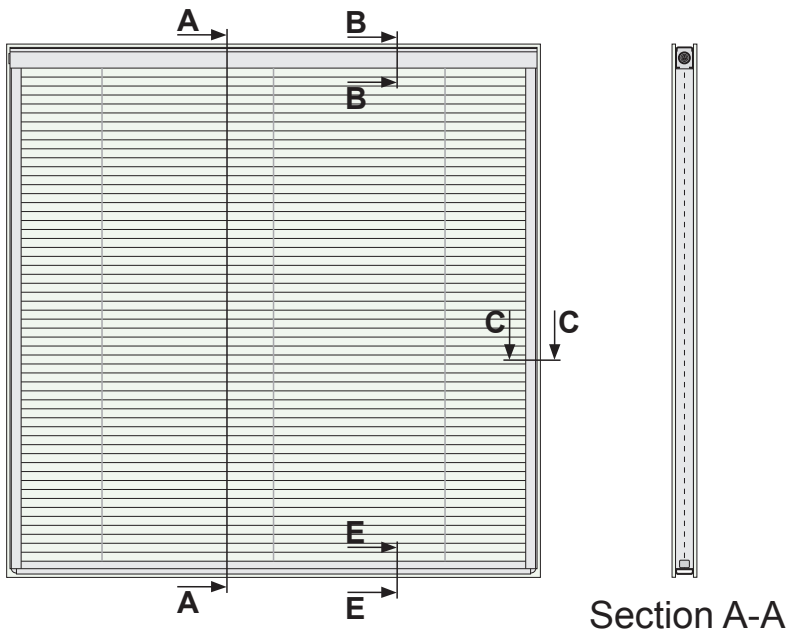




● Motorized unit / 27 mm





● Motorized unit / 29 mm

