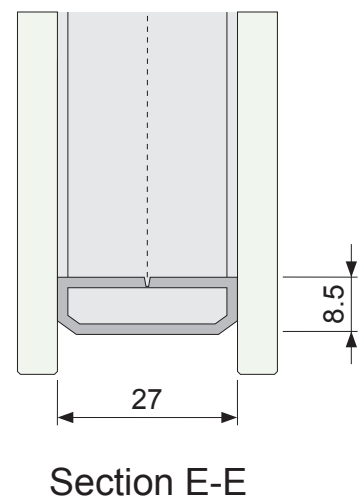
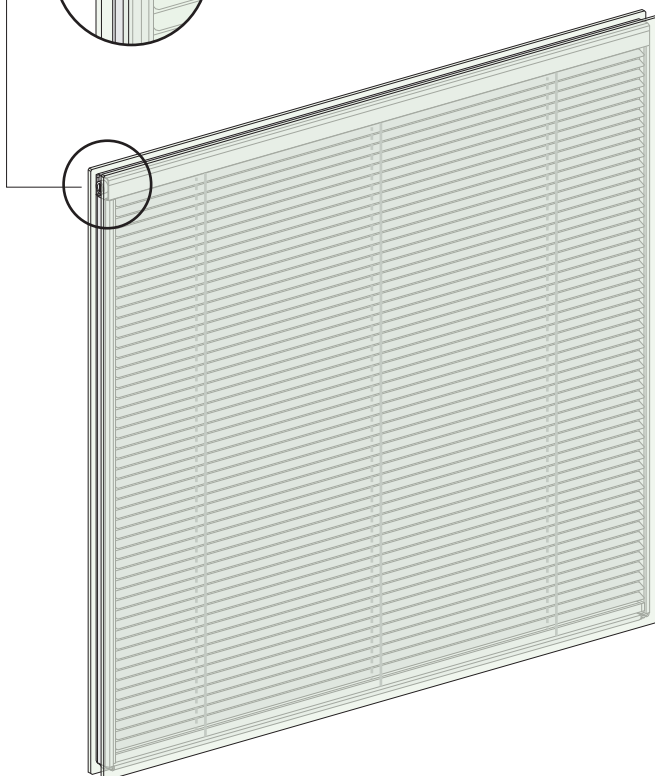
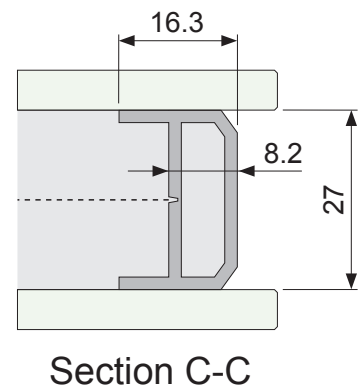
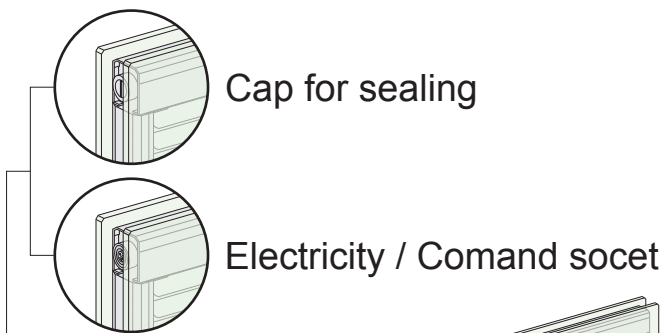
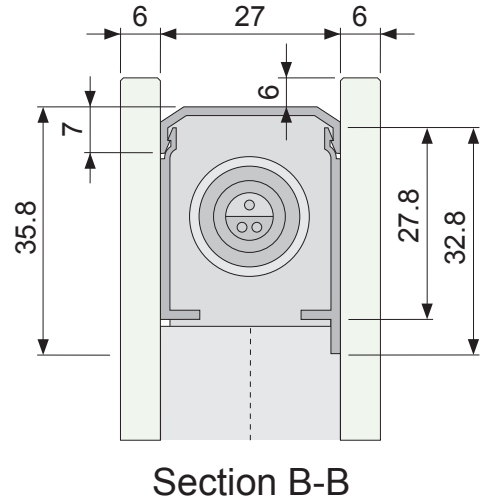
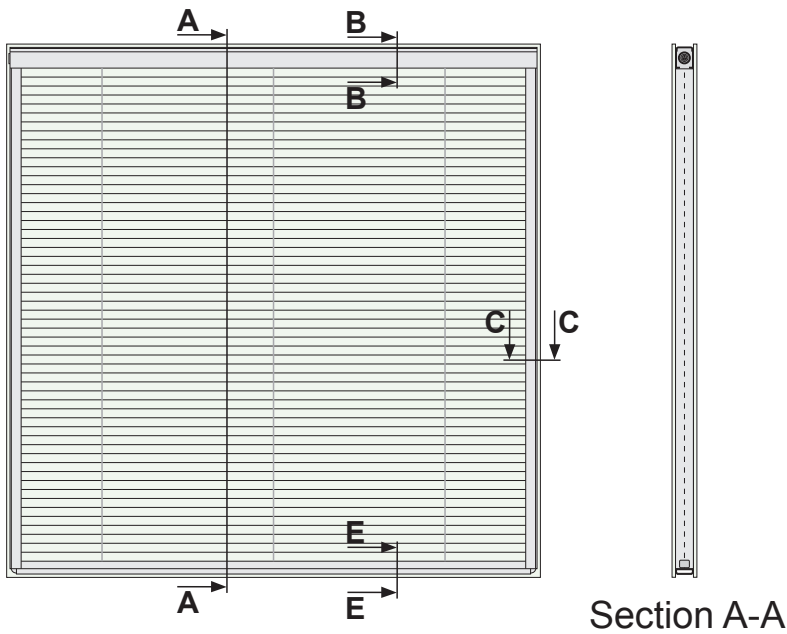
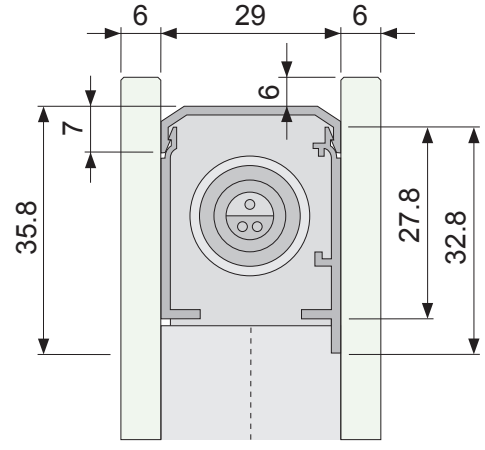
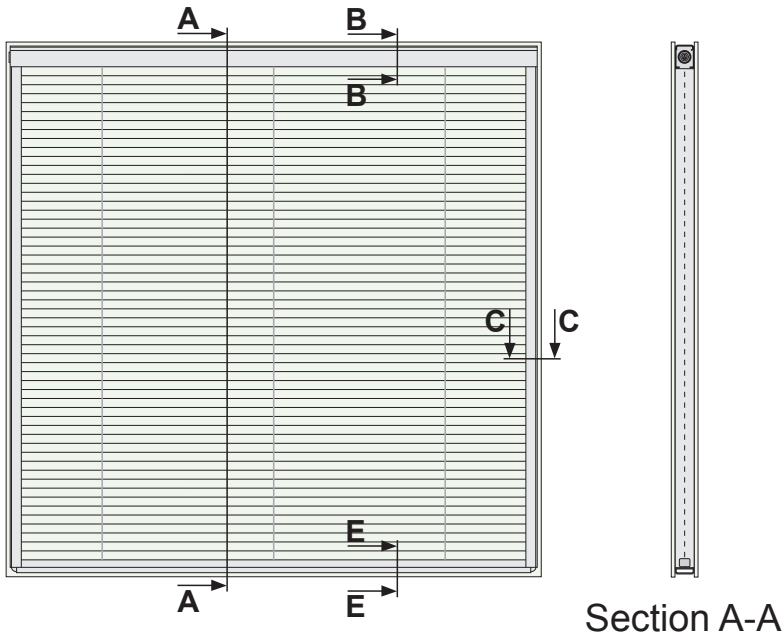


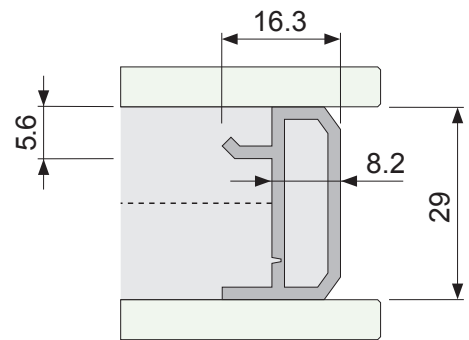
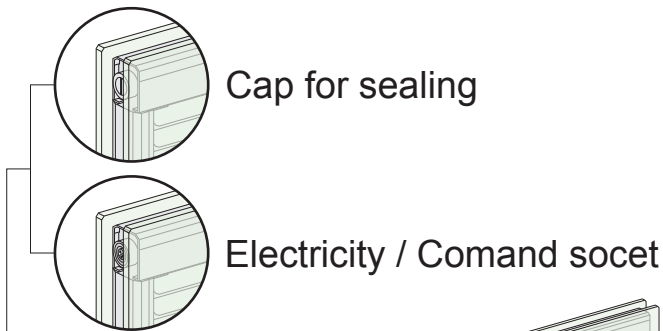
● **Motorized unit / 27 mm**



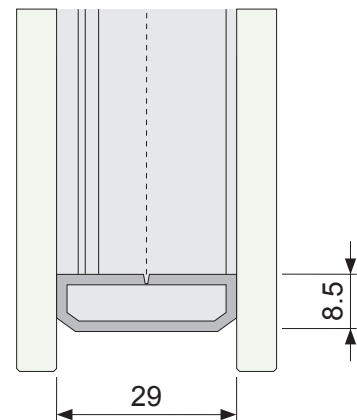
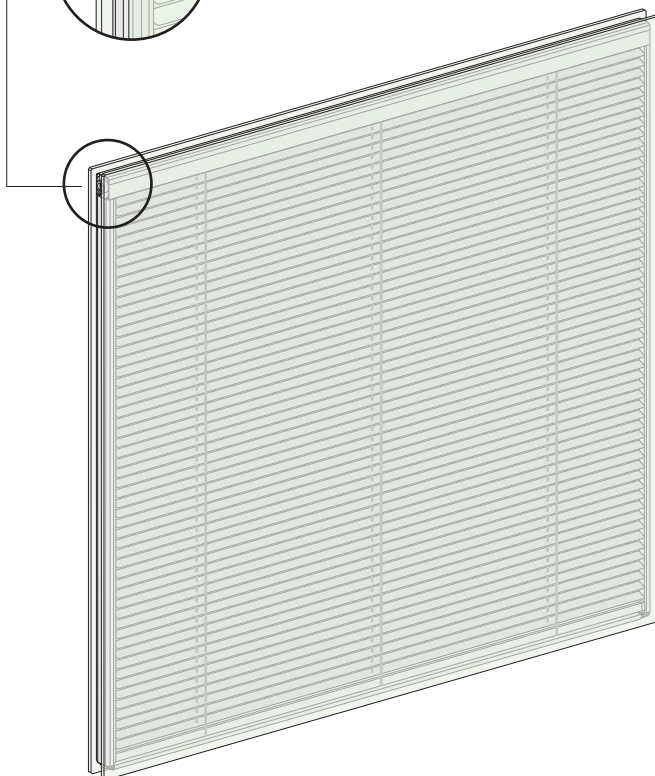
● **Motorized unit / 29 mm**



Section B-B



Section C-C



Section E-E